

# EN-40 S/D

Single lever cartridge  
Standard 40mm

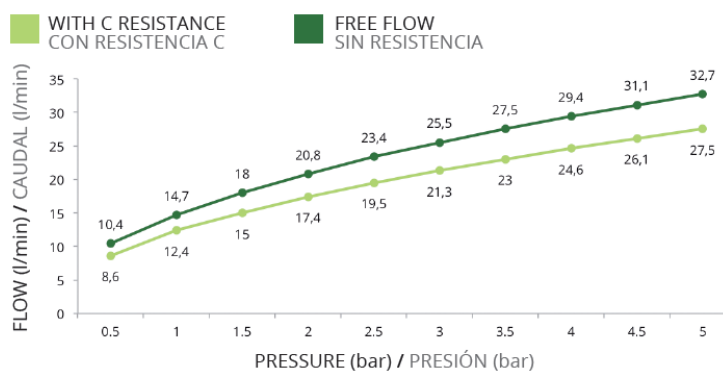
**08EN40FAZ00**



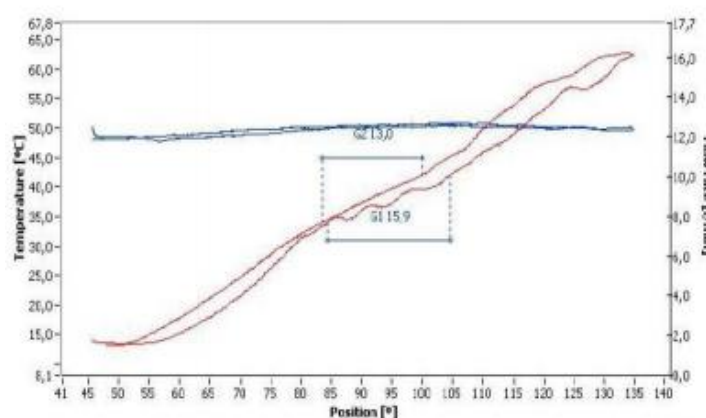
## Technical specifications

Nut torque/Pitch M1,5		10 - 12 N.m
Opening angle		25°
Rotation angle		100°
Working pressure (recommended)		1 - 5 bar
Burst pressure		55 ÷ 65 bar
Life cycle	EN 817 ASME 112.18.1 M	70,000 cycles 500,000 cycles
Sensitivity		16° ÷ 17° angle
Constant 63°C & 50°C (6 l/min-3 l/min)		0,8 °C - 1,7 °C
Max. Hot water		90 °C
<b>Flow rate at 3 bar</b>		
Free flow		25,50 l/min
C-Restrictor		21,30 l/min
<b>Operation torque</b>		
Open - close		0,25 ÷ 0,35 Nm
Turn left-right		0,25 ÷ 0,35 Nm

## Flow



## Sensitivity

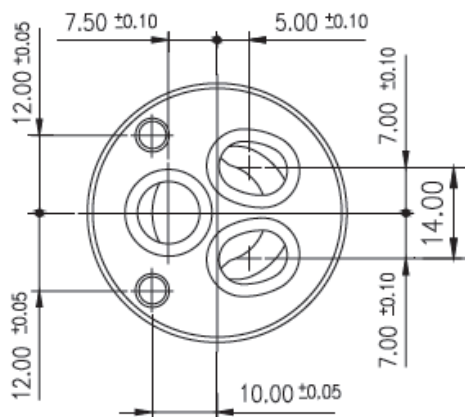


(1) Measured with Sedal's faucet

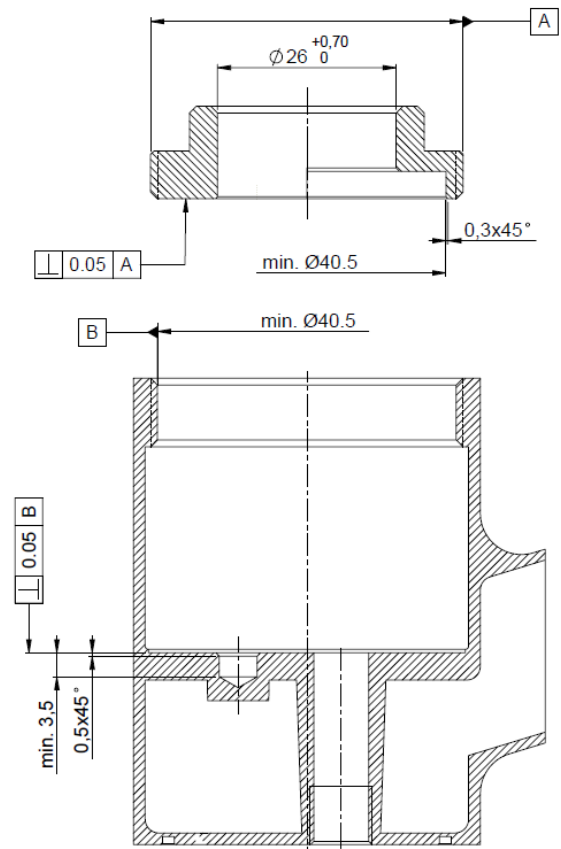
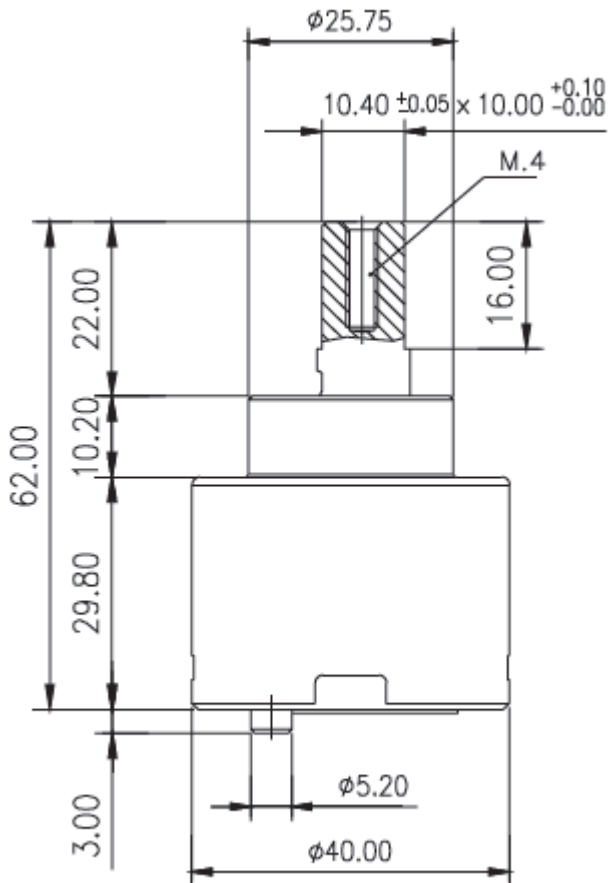
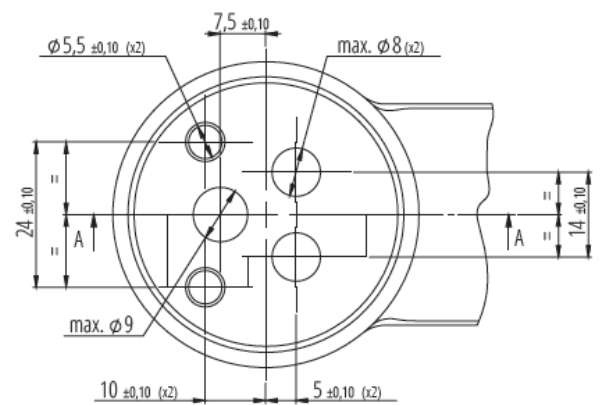
Single lever cartridge standard 40mm

EN-40 S/D

**Technical dimensions**



**Machining prescription**



(2) Dimensions of the cartridge assembled into the faucet (without vertical gap between the cover and the base)