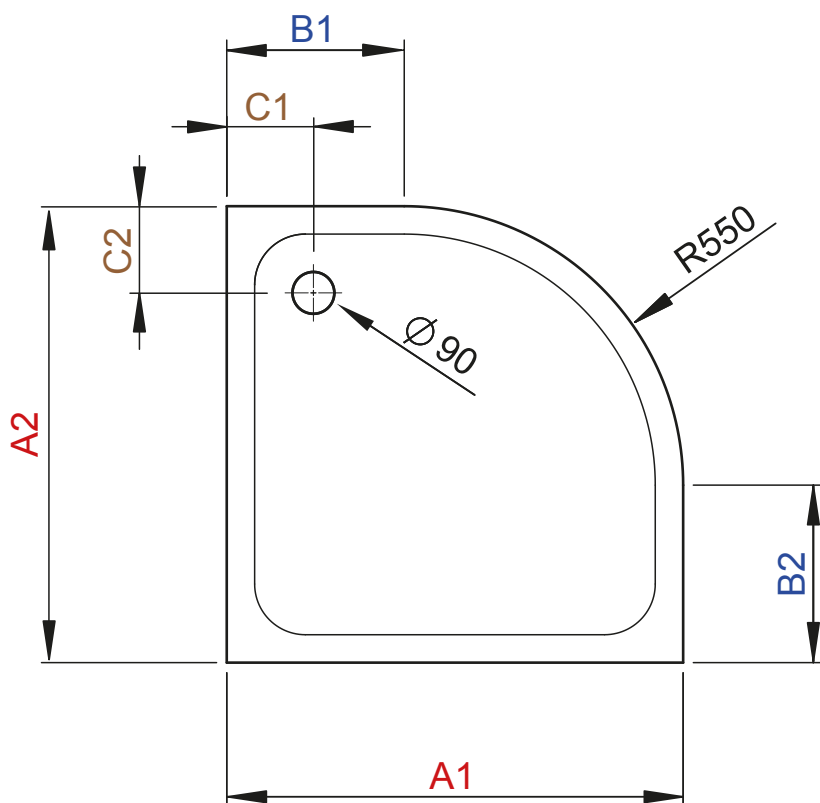
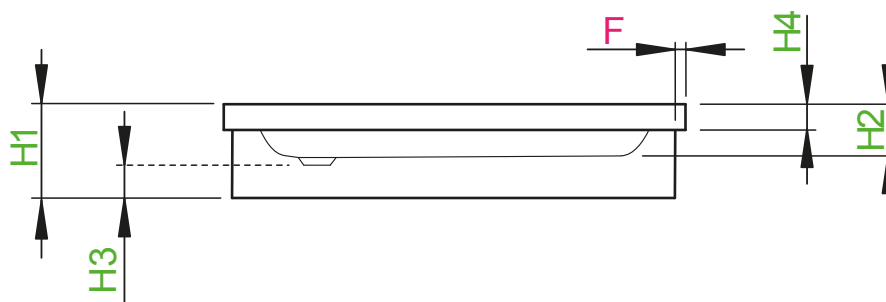


SIROS A



SIROS A	A1	A2	B1	B2	C1	C2	F	H1	H2	H3	H4
<i>800x800</i>	800	800	250	250	180	180	15	170	70	90	36
<i>900x900</i>	900	900	350	350	180	180	15	170	70	90	36