



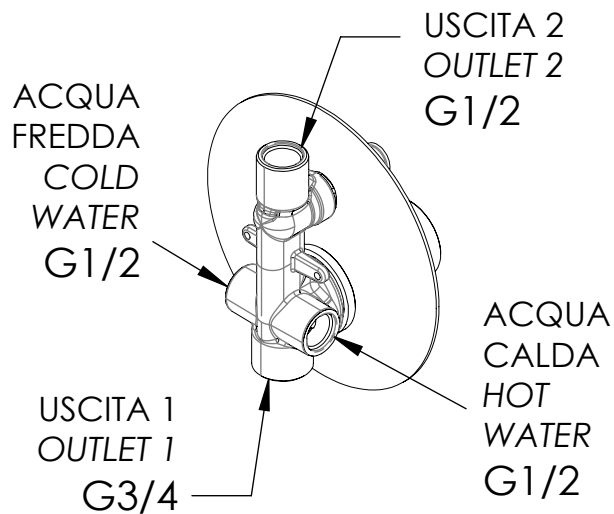
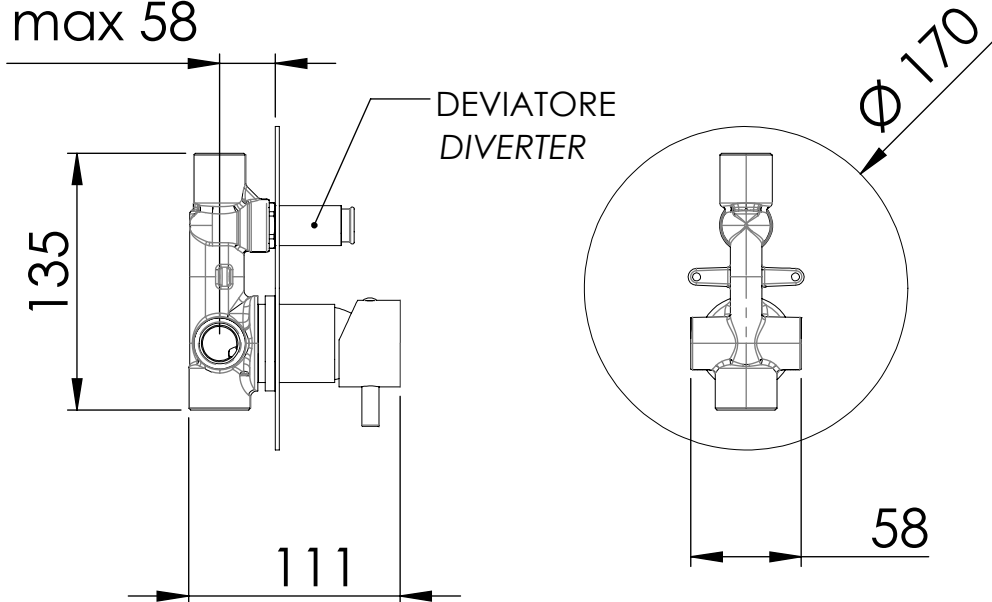
SCHEDA TECNICA TECHNICAL FEATURES

**DANIEL**

ART. COD.

**TK612**

min 30  
max 58



**MATERIALI / MATERIALS**

OTTONE CROMATO / CHROME PLATED BRASS

**CROMATURA / CHROME PLATING**

UNI EN 248